

RISterm

Villers • le • Bouillet & Lokeren

MAINTENANCE ET NÉGOCE EN ROBINETTERIE INDUSTRIELLE
INDUSTRIELE AFLUITERREVISIE EN VERKOOP



ARTICULO: 2104

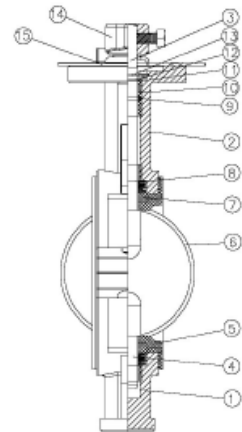
Válvula de mariposa tipo wafer. Inoxidable 316 + PTFE Butterfly valve wafer type. Stainless Steel 316 + PTFE

Características

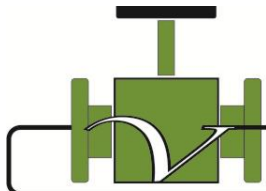
1. Válvula de mariposa tipo wafer.
2. Cuerpo bipartido de Inoxidable 316 para montaje entre bridas ANSI 150 y DIN PN 10/16.
3. Asiento de PTFE con base de EPDM
4. Disco de Acero Inoxidable 316 (CF8M).
5. Eje Inoxidable 316.
6. Brida montaje actuadores según ISO 5211.
7. Longitud entre caras según UNE EN 558-1 Serie 20 (DIN 3202 K1).
8. Temperatura de trabajo $-25^{\circ}\text{C} + 180^{\circ}\text{C}$.

Features

1. Butterfly valve wafer type.
2. AISI 316 body in two parts allows installation in ANSI 150 and DIN PN 10/16 pipe flange.
3. PTFE body seat on EPDM.
4. Butterfly made in AISI 316 (CF8M).
5. Stem made in AISI 316.
6. Actuator mounting plate according ISO 5211.
7. Face to face according UNE EN 558-1 Serie 20 (DIN 3202 K1).
8. Working Temperature $-25^{\circ}\text{C} + 180^{\circ}\text{C}$.



| Nº | Denominación / Name | Material | Acabado Superficial/Surface Treatment |
|----|-----------------------------------|---------------------------------|---------------------------------------|
| 1 | Cuerpo Inferior / Downside Body | Acero Inox. AISI 316 / SS 316 | Granallado / Shot Blasting |
| 2 | Cuerpo Superior / Upside Body | Acero Inox. AISI 316 / SS 316 | Granallado / Shot Blasting |
| 3 | Eje Superior / Upside Stem | Acero Inox. AISI 316 / SS 316 | ----- |
| 4 | Eje Inferior / Low Stem | Acero Inox. AISI 316 / SS 316 | ----- |
| 5 | Asiento / Seat | PTFE c/base EPDM / PTFE on EPDM | ----- |
| 6 | Disco / Disc | Acero Inox. AISI 316 / SS 316 | Granallado / Shot Blasting |
| 7 | Buje / Sleeve | RPTFE | ----- |
| 8 | Arandelas Muelle / Spring washer | Acero Inox. AISI 301 / SS 301 | ----- |
| 9 | Tórica / O'ring | Viton | ----- |
| 10 | Casquillo / Bush | RPTFE | ----- |
| 11 | Arandela / Washer | Acero Inox. AISI 304 / SS 304 | ----- |
| 12 | Arandela Seeguer / Shapt Retainer | Acero Inox. AISI 304 / SS 304 | ----- |
| 13 | Arandela Seeguer / Ring Retainer | Acero Inox. AISI 304 / SS 304 | ----- |
| 14 | Maneta / Handle | Acero Inox. AISI 304 / SS 304 | Pulido / Polished |
| 15 | Plato / Plate | Acero Inox. AISI 304 / SS 304 | Pulido / Polished |



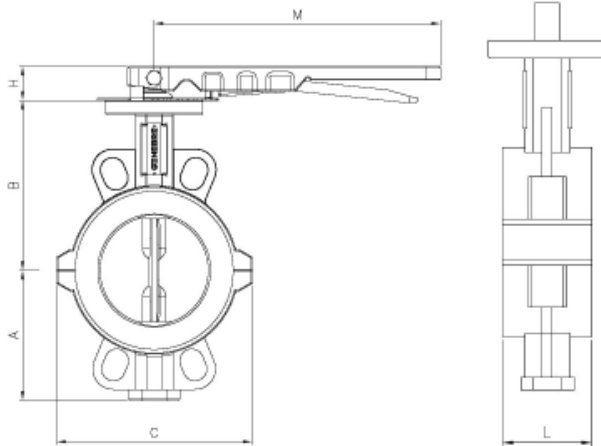
RISterm

Villers • le • Bouillet & Lokeren

MAINTENANCE ET NÉGOCE EN ROBINETTERIE INDUSTRIELLE
INDUSTRIELE AFLUITERREVISIE EN VERKOOP



DIMENSIONES GENERALES / GENERAL DIMENSIONS

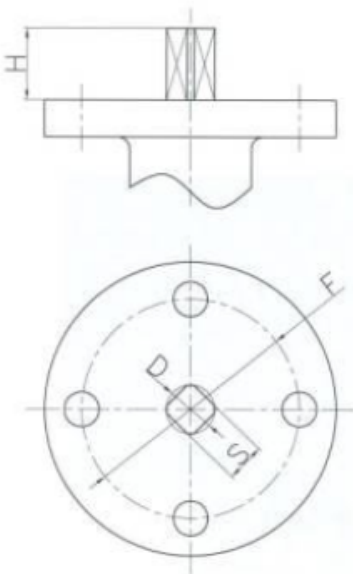


| Ref | Medida/ Size | DN | PN | Dimensiones / Dimensions (mm) | | | | | | Peso/ Weight (Kg) |
|---------|-----------------|-----|----|-------------------------------|-----|-----|-----|----|-----|-------------------------|
| | | | | L | A | B | C | H | M | |
| 2104 09 | 2" | 50 | 10 | 43 | 74 | 136 | 117 | 32 | 264 | 3,800 |
| 2104 10 | 2 ½" | 65 | 10 | 46 | 82 | 138 | 126 | 32 | 264 | 4,400 |
| 2104 11 | 3" | 80 | 10 | 46 | 90 | 138 | 142 | 32 | 264 | 4,900 |
| 2104 12 | 4" | 100 | 10 | 52 | 116 | 158 | 178 | 32 | 264 | 6,500 |
| 2104 13 | 5" | 125 | 10 | 56 | 132 | 174 | 202 | 32 | 264 | 8,200 |
| 2104 14 | 6" | 150 | 10 | 56 | 145 | 190 | 234 | 32 | *** | 9,600 |
| 2104 16 | 8" | 200 | 10 | 60 | 180 | 229 | 286 | 45 | *** | 14,700 |

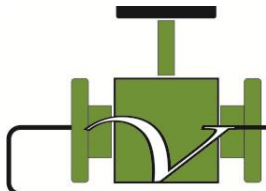
*** Nota: A partir de 6" (DN 150) operación mediante reductor manual.

*** Note: From 6" (DN 150) included , handling by gear operator.

Dimensiones de brida superior / Top flange dimensions:



| Dimensiones brida Superior / Top flange dimensions | | | | | |
|--|----------|----|----|----|------------|
| Ref. | F (5211) | S | D | H | Torque Nm. |
| 2104 09 | F05 | 11 | 14 | 32 | 20 |
| 2104 10 | F05 | 11 | 14 | 32 | 25 |
| 2104 11 | F05 | 11 | 14 | 32 | 30 |
| 2104 12 | F07 | 14 | 18 | 32 | 60 |
| 2104 13 | F07 | 14 | 18 | 32 | 100 |
| 2104 14 | F07 | 14 | 18 | 32 | 180 |
| 2104 16 | F10 | 17 | 22 | 45 | 300 |



RISterm

Villers • le • Bouillet & Lokeren

MAINTENANCE ET NÉGOCE EN ROBINETTERIE INDUSTRIELLE
INDUSTRIELE AFSLUITERREVISIE EN VERKOOP



Perdidas de Carga (Cv) según posición del disco / Head losses according disc position:

| DN | Posición del Disco (grados) / Disc Position (degrees) | | | | | | | | |
|-----|---|------|------|------|-----|-----|-----|-----|-----|
| | 90° | 80° | 70° | 60° | 50° | 40° | 30° | 20° | 10° |
| 50 | 144 | 114 | 84 | 61 | 43 | 27 | 16 | 7 | 1 |
| 65 | 282 | 223 | 163 | 107 | 67 | 43 | 24 | 11 | 1.5 |
| 80 | 461 | 364 | 267 | 154 | 96 | 61 | 35 | 15 | 2 |
| 100 | 841 | 701 | 496 | 274 | 171 | 109 | 62 | 27 | 3 |
| 125 | 1376 | 1146 | 775 | 428 | 268 | 170 | 98 | 43 | 5 |
| 150 | 1850 | 1542 | 1025 | 567 | 354 | 225 | 129 | 56 | 6 |
| 200 | 3316 | 2842 | 1862 | 1081 | 680 | 421 | 241 | 102 | 12 |

Medidas de Precaución para instalación / Precautions measures for Installation:

1. No instale la válvula en posición totalmente cerrada / *Do not assemble the butterfly valve in total closed position.*
2. Verifique el buen paralelismo de las bridas / *Check the good parallelism of the flanges.*
3. No coloque otras juntas entre las bridas / *Do not insert others gasket between flange and valve.*
4. Abra totalmente la válvula antes de apretar las bridas / *Open completely the valve before tightening flanges.*

